

H 型-多孔金属防水接头-M

Type H -Multi hole metal cable gland

- 产品材料: 黄铜镀镍, 密封件为 EPDM, 夹紧爪尼龙
- 防护等级: IP68
- 工作温度: 测试-40° ~105° 零件无损坏且保障设备正常运转
- 阻燃等级: UL94V-2, 可定制 V0 级阻燃
- 订购说明: 默认不附螺母, 如需特殊说明

- Materials: Nickel plated brass, silicone seal, nylon clamping claw
- Waterproof: IP68
- Temperature: -20° ~105°
- fire prevention: UL94V-2, Customizable V0
- Ordering Information: Without nut



公制 M 牙选型表/Metric thread selection table

蓝江产品型号	螺纹规格	电缆范围	螺纹直径	螺纹长度	扳手尺寸	包装数量
Product model	M Thread	Cable range	Thread diameter	Thread length	Wrench Size	quantity
PN.	M	Φ mm	AG mm	GL mm	cap mm	Pcs/bag
MG12A-H2-03	M12×1.5	1.5~3	12	8	17/17	50
MG12A-H3-02	M12×1.5	1~2.6	12	8	17/17	50
MG12A-H4-02	M12×1.5	1~2.3	12	8	17/17	50
MG16A-H2-04	M16×1.5	2~4	16	9	22/22	50
MG16A-H3-04	M16×1.5	2~4	16	9	22/22	50
MG16A-H4-03	M16×1.5	1.5~3	16	9	22/22	50
MG16A-H6-02	M16×1.5	1~2.1	16	9	22/22	50
MG16A-H8-02	M16×1.5	1~2.1	16	9	22/22	50
MG18A-H2-04	M18×1.5	2~4	18	9	22/22	50
MG18A-H3-04	M18×1.5	2~4	16	9	22/22	50
MG18A-H4-03	M18×1.5	1.5~3	16	9	22/22	50
MG18A-H6-02	M18×1.5	1~2.1	16	9	22/22	50
MG18A-H8-02	M18×1.5	1~2.1	16	9	22/22	50
MG20A-H2-03	M20×1.5	1.5~3	20	10	26/26	50
MG20A-H2-04	M20×1.5	2~4	20	10	26/26	50
MG20A-H2-05	M20×1.5	3~5	20	10	26/26	50
MG20A-H2-06	M20×1.5	3~6	20	10	26/26	50
MG20A-H3-03	M20×1.5	1.5~3	20	10	26/26	50
MG20A-H3-05	M20×1.5	3~5	20	10	26/26	50
MG20A-H3-06	M20×1.5	3~6	20	10	26/26	50
MG20A-H4-03	M20×1.5	1~2.5	20	10	26/26	50
MG20A-H4-04	M20×1.5	1.5~3.5	20	10	26/26	50
MG20A-H4-05	M20×1.5	2~4.5	20	10	26/26	50

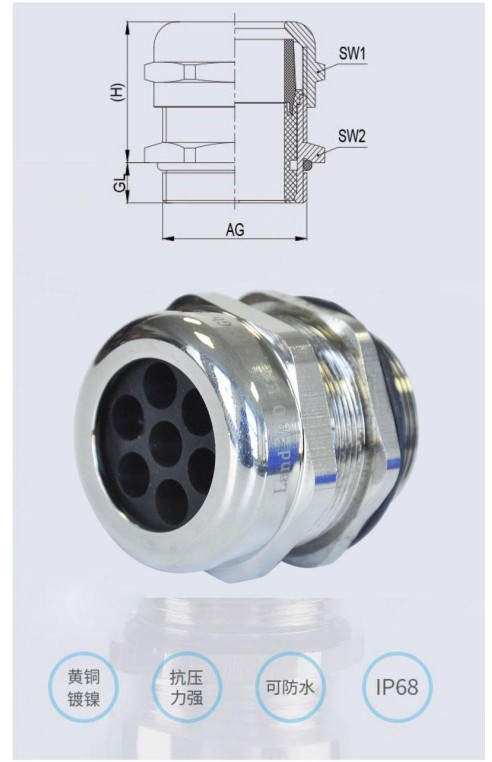
蓝江产品型号	螺纹规格	电缆范围	螺纹直径	螺纹长度	扳手尺寸	包装数量
Product model	M Thread	Cable range	Thread diameter	Thread length	Wrench Size	quantity
PN.	M	φ mm	AG mm	GL mm	cap mm	Pcs/bag
MG20A-H5-03	M20×1.5	1.5~3	20	10	26/26	50
MG20A-H5-04	M20×1.5	2~4	20	10	26/26	50
MG20A-H6-03	M20×1.5	1.5~3	20	10	26/26	50
MG20A-H6-04	M20×1.5	2~4	20	10	26/26	50
MG25A-H2-06	M25×1.5	3~6	25	12	32/32	50
MG25A-H2-08	M25×1.5	5~8	25	12	32/32	50
MG25A-H3-08	M25×1.5	5~8	25	12	32/32	50
MG25A-H3-07	M25×1.5	4~7	25	12	32/32	50
MG25A-H3-06	M25×1.5	4~6	25	12	32/32	50
MG25A-H3-05	M25×1.5	3~5	25	12	32/32	50
MG25A-H4-09	M25×1.5	6~9	25	12	32/32	50
MG25A-H4-08	M25×1.5	5~8	25	12	32/32	50
MG25A-H4-07	M25×1.5	4~7	25	12	32/32	50
MG25A-H4-06	M25×1.5	3~6	25	12	32/32	50
MG25A-H4-05	M25×1.5	2~5	25	12	32/32	50
MG25A-H5-06	M25×1.5	3~6	25	12	32/32	50
MG25A-H6-05	M25×1.5	2~5	25	12	32/32	50
MG25A-H7-04	M25×1.5	2~4	25	12	32/32	50
MG25A-H8-04	M25×1.5	2~4	25	12	32/32	50
MG32A-H2-10	M32×1.5	7~10	32	12.5	40/40	20
MG32A-H3-10	M32×1.5	7~10	32	12.5	40/40	20
MG32A-H4-09	M32×1.5	6~9	32	12.5	40/40	20
MG32A-H4-07	M32×1.5	4~7	32	12.5	40/40	20
MG32A-H5-08	M32×1.5	5~8	32	12.5	40/40	20
MG32A-H6-07	M32×1.5	4~7	32	12.5	40/40	20
MG32A-H6-05	M32×1.5	3~5	32	12.5	40/40	20
MG40A-H2-13	M40×1.5	9~13	40	15	50/50	20
MG40A-H3-12	M40×1.5	8~12	40	15	50/50	20
MG40A-H4-12	M40×1.5	8~12	40	15	50/50	20
MG40A-H5-08	M40×1.5	6~8	40	15	50/50	20
MG40A-H6-08	M40×1.5	6~8	40	15	50/50	20
MG40A-H6-10	M40×1.5	7~10	40	15	50/50	20
MG40A-H7-08	M40×1.5	6~8	40	15	50/50	20
MG40A-H8-06	M40×1.5	3~6	40	15	50/50	20
MG40A-H9-05	M40×1.5	3~5	40	15	50/50	20
MG40A-H10-05	M40×1.5	3~5	40	15	50/50	20
MG50A-H2-15	M50×1.5	11~15	50	15	59/59	10
MG50A-H3-12	M50×1.5	9~12	50	15	59/59	10
MG63A-H2-17	M63×1.5	14~17	63	15	70/70	10
MG63A-H3-13	M63×1.5	10~13	63	15	70/70	10
MG63A-H6-12	M63×1.5	9~12	63	15	70/70	10

H 型-多孔金属防水接头-PG

Type H -Multi hole metal cable gland

- 产品材料: 黄铜镀镍, 密封件为 EPDM, 夹紧爪尼龙
- 防护等级: IP68
- 工作温度: 测试-40° ~105° 零件无损坏且保障设备正常运转
- 阻燃等级: UL94V-2, 可定制 V0 级阻燃
- 订购说明: 默认不附螺母, 如需特殊说明

- Materials: Nickel plated brass, silicone seal, nylon clamping claw
- Waterproof: IP68
- Temperature: -20° ~105°
- fire prevention: UL94V-2, Customizable V0
- Ordering Information: Without nut



德制 PG 牙选型表/PG thread selection table

蓝江产品型号	螺纹规格	电缆范围	螺纹直径	螺纹长度	扳手尺寸	包装数量
Product model	PG Thread	Cable range	Thread diameter	Thread length	Wrench Size	quantity
PN.	PG	Φ mm	AG mm	GL mm	cap mm	Pcs/bag
PG7A-H2-03	PG7	1.5~3	12.5	8	17/17	50
PG7A-H3-02	PG7	1~2.6	12.5	8	17/17	50
PG7A-H4-02	PG7	1~2.3	12.5	8	17/17	50
PG9A-H2-03	PG9	1.5~3	15.2	8	17/17	50
PG9A-H3-02	PG9	1~2.6	15.2	8	17/17	50
PG9A-H4-02	PG9	1~2.3	15.2	8	17/17	50
PG11A-H2-04	PG11	2~4	18.5	9	22/22	50
PG11A-H3-04	PG11	2~4	18.5	9	22/22	50
PG11A-H4-03	PG11	1.5~3	18.5	9	22/22	50
PG11A-H6-02	PG11	1~2.1	18.5	9	22/22	50
PG11A-H8-02	PG11	1~2.1	18.5	9	22/22	50
PG13.5A-H2-05	PG13.5	2~5	20.4	10	24/24	50
PG13.5A-H3-05	PG13.5	2~5	20.4	10	24/24	50
PG13.5A-H4-04	PG13.5	2~4	20.4	10	24/24	50
PG16A-H2-06	PG16	3~6	22.5	10	26/26	50
PG16A-H2-05	PG16	3~5	22.5	10	26/26	50
PG16A-H2-04	PG16	2~4	22.5	10	26/26	50
PG16A-H2-03	PG16	1.5~3	22.5	10	26/26	50
PG16A-H3-06	PG16	3~6	22.5	10	26/26	50
PG16A-H3-05	PG16	3~5	22.5	10	26/26	50
PG16A-H3-03	PG16	1.5~3	22.5	10	26/26	50
PG16A-H4-05	PG16	3~4.5	22.5	10	26/26	50
PG16A-H4-04	PG16	2~3.5	22.5	10	26/26	50
PG16A-H4-03	PG16	1~2.5	22.5	10	26/26	50

蓝江产品型号	螺纹规格	电缆范围	螺纹直径	螺纹长度	扳手尺寸	包装数量
Product model	PG Thread	Cable range	Thread diameter	Thread length	Wrench Size	quantity
PN.	PG	φ mm	AG mm	GL mm	cap mm	Pcs/bag
PG16A-H5-04	PG16	2~4	22.5	10	26/26	50
PG16A-H5-03	PG16	1.2~3	22.5	10	26/26	50
PG16A-H6-04	PG16	2~4.2	22.5	10	26/26	50
PG16A-H6-03	PG16	1.2~3	22.5	10	26/26	50
PG21A-H2-08	PG21	5~8	28.3	12	32/32	50
PG21A-H2-06	PG21	3~6	28.3	12	32/32	50
PG21A-H3-08	PG21	5~8	28.3	12	32/32	50
PG21A-H3-07	PG21	4~7	28.3	12	32/32	50
PG21A-H3-06	PG21	3.5~6	28.3	12	32/32	50
PG21A-H3-05	PG21	3~5	28.3	12	32/32	50
PG21A-H4-09	PG21	6~9	28.3	12	32/32	50
PG21A-H4-08	PG21	5~8	28.3	12	32/32	50
PG21A-H4-07	PG21	4~7	28.3	12	32/32	50
PG21A-H4-06	PG21	3.5~6	28.3	12	32/32	50
PG21A-H4-05	PG21	3~5	28.3	12	32/32	50
PG21A-H5-06	PG21	3.5~6	28.3	12	32/32	50
PG21A-H6-05	PG21	3~5	28.3	12	32/32	50
PG21A-H7-04	PG21	2~4	28.3	12	32/32	50
PG21A-H8-04	PG21	2~4	28.3	12	32/32	50
PG29A-H2-10	PG29	6~10	37	12.5	40/40	20
PG29A-H3-10	PG29	6~10	37	12.5	40/40	20
PG29A-H4-09	PG29	5~9	37	12.5	40/40	20
PG29A-H4-07	PG29	4~7	37	12.5	40/40	20
PG29A-H5-08	PG29	6~8	37	12.5	40/40	20
PG29A-H6-07	PG29	4~7	37	12.5	40/40	20
PG29A-H6-05	PG29	3~5	37	12.5	40/40	20
PG36A-H2-13	PG29	9~13	47	15	50/50	20
PG36A-H3-12	PG29	8~12	47	15	50/50	20
PG36A-H4-12	PG29	8~12	47	15	50/50	20
PG36A-H5-08	PG29	6~8	47	15	50/50	20
PG36A-H6-08	PG29	6~8	47	15	50/50	20
PG36A-H6-10	PG29	7~10	47	15	50/50	20
PG36A-H7-08	PG29	6~8	47	15	50/50	20
PG36A-H8-06	PG29	4~6	47	15	50/50	20
PG36A-H9-05	PG29	3~5	47	15	50/50	20
PG36A-H10-05	PG29	3~5	47	15	50/50	20
PG42A-H2-15	PG42	11~15	54	15	59/59	10
PG42A-H3-12	PG42	9~12	54	15	59/59	10
PG48A-H2-17	PG48	14~17	59.8	15	70/70	10
PG48A-H3-13	PG48	9~13	59.8	15	70/70	10
PG48A-H6-12	PG48	8~12	59.8	15	70/70	10

H 型-多孔金属防水接头-G

Type H -Multi hole metal cable gland

- 产品材料: 黄铜镀镍, 密封件为 EPDM, 夹紧爪尼龙
- 防护等级: IP68
- 工作温度: 测试-40° ~105° 零件无损坏且保障设备正常运转
- 阻燃等级: UL94V-2, 可定制 V0 级阻燃
- 订购说明: 默认不附螺母, 如需特殊说明

- Materials: Nickel plated brass, silicone seal, nylon clamping claw
- Waterproof: IP68
- Temperature: -20° ~105°
- fire prevention: UL94V-2, Customizable V0
- Ordering Information: Without nut



英制 G 牙选型表/G thread selection table

蓝江产品型号	螺纹规格	电缆范围	螺纹直径	螺纹长度	扳手尺寸	包装数量
Product model	G Thread	Cable range	Thread diameter	Thread length	Wrench Size	quantity
PN.	G	Φ mm	AG mm	GL mm	cap mm	Pcs/bag
G1/4A-H2-03	G1/4	1.5~3	13.15	8	17/17	50
G1/4A-H3-02	G1/4	1~2.6	13.15	8	17/17	50
G1/4A-H4-02	G1/4	1~2.3	13.15	8	17/17	50
G3/8A-H2-04	G3/8	2~4	16.66	9	22/22	50
G3/8A-H3-04	G3/8	2~4	16.66	9	22/22	50
G3/8A-H4-03	G3/8	1.5~3	16.66	9	22/22	50
G3/8A-H6-02	G3/8	1.2~2	16.66	9	22/22	50
G3/8A-H8-02	G3/8	1.2~2	16.66	9	22/22	50
G1/2A-H2-05	G1/2	2~5	20.95	10	24/24	50
G1/2A-H3-05	G1/2	2~5	20.95	10	24/24	50
G1/2A-H4-04	G1/2	2~4	20.95	10	24/24	50
G1/2A-H2-06	G1/2	3~6	20.95	10	26/26	50
G1/2A-H2-05	G1/2	3~5	20.95	10	26/26	50
G1/2A-H2-04	G1/2	2~4	20.95	10	26/26	50
G1/2A-H2-03	G1/2	1.5~3	20.95	10	26/26	50
G1/2A-H3-06	G1/2	3~6	20.95	10	26/26	50
G1/2A-H3-05	G1/2	3~5	20.95	10	26/26	50
G1/2A-H3-03	G1/2	1.5~3	20.95	10	26/26	50
G1/2A-H4-04	G1/2	2.5~4.5	20.95	10	26/26	50
G1/2A-H4-03	G1/2	2~3.5	20.95	10	26/26	50
G1/2A-H4-02	G1/2	1.5~2.5	20.95	10	26/26	50
G1/2A-H5-04	G1/2	2~4.2	20.95	10	26/26	50
G1/2A-H5-03	G1/2	1.5~3	20.95	10	26/26	50

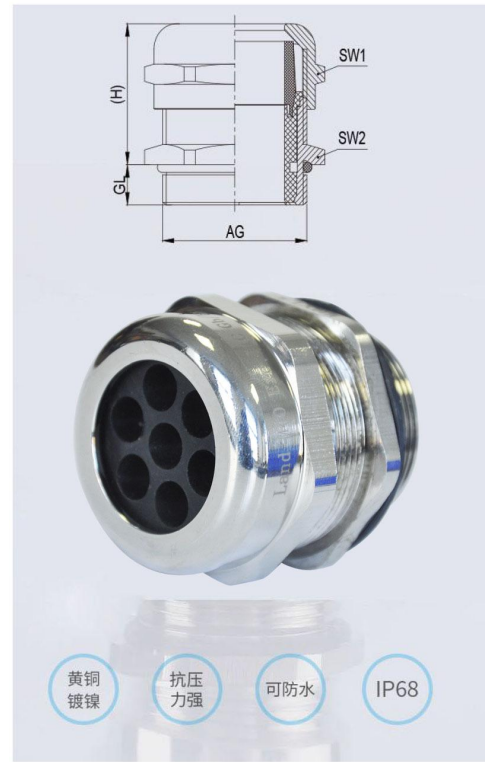
蓝江产品型号	螺纹规格	电缆范围	螺纹直径	螺纹长度	扳手尺寸	包装数量
Product model	G Thread	Cable range	Thread diameter	Thread length	Wrench Size	quantity
PN.	G	φ mm	AG mm	GL mm	cap mm	Pcs/bag
G1/2A-H6-04	G1/2	2~4.2	20.95	10	26/26	50
G1/2A-H6-03	G1/2	1.5~3	20.95	10	26/26	50
G3/4A-H2-08	G3/4	5~8	26.44	12	32/32	50
G3/4A-H2-06	G3/4	3~6	26.44	12	32/32	50
G3/4A-H3-08	G3/4	5~8	26.44	12	32/32	50
G3/4A-H3-07	G3/4	4~7	26.44	12	32/32	50
G3/4A-H3-06	G3/4	3~6	26.44	12	32/32	50
G3/4A-H3-05	G3/4	2~5	26.44	12	32/32	50
G3/4A-H4-09	G3/4	6~9	26.44	12	32/32	50
G3/4A-H4-08	G3/4	5~8	26.44	12	32/32	50
G3/4A-H4-07	G3/4	4~7	26.44	12	32/32	50
G3/4A-H4-06	G3/4	3~6	26.44	12	32/32	50
G3/4A-H4-05	G3/4	2~5	26.44	12	32/32	50
G3/4A-H5-06	G3/4	3~6	26.44	12	32/32	50
G3/4A-H6-05	G3/4	2~5	26.44	12	32/32	50
G3/4A-H7-04	G3/4	2~4	26.44	12	32/32	50
G3/4A-H8-04	G3/4	2~4	26.44	12	32/32	50
G1A-H2-10	G1	6~10	33.2	12.5	40/40	20
G1A-H3-10	G1	6~10	33.2	12.5	40/40	20
G1A-H4-09	G1	5~9	33.2	12.5	40/40	20
G1A-H4-07	G1	4~7	33.2	12.5	40/40	20
G1A-H5-08	G1	5~8	33.2	12.5	40/40	20
G1A-H6-07	G1	4~7	33.2	12.5	40/40	20
G1A-H6-05	G1	3~5	33.2	12.5	40/40	20
G1-1/4A-H2-13	G1-1/4	9~13	41.9	15	50/50	20
G1-1/4A-H3-12	G1-1/4	8~12	41.9	15	50/50	20
G1-1/4A-H4-12	G1-1/4	8~12	41.9	15	50/50	20
G1-1/4A-H5-08	G1-1/4	5~8	41.9	15	50/50	20
G1-1/4A-H6-08	G1-1/4	5~8	41.9	15	50/50	20
G1-1/4A-H6-10	G1-1/4	6~10	41.9	15	50/50	20
G1-1/4A-H7-08	G1-1/4	5~8	41.9	15	50/50	20
G1-1/4A-H8-06	G1-1/4	3~6	41.9	15	50/50	20
G1-1/4A-H9-05	G1-1/4	3~5	41.9	15	50/50	20
G1-1/4A-H10-05	G1-1/4	3~5	41.9	15	50/50	20
G1-1/2A-H2-15	G1-1/2	11~15	47.8	15	59/59	10
G1-1/2A-H3-15	G1-1/2	9~12	47.8	15	59/59	10
G2A-H2-17	G2	14~17	59.6	15	70/70	10
G2A-H2-13	G2	10~13	59.6	15	70/70	10
G2A-H2-12	G2	9~12	59.6	15	70/70	10

H 型-多孔金属防水接头-NPT

Type H -Multi hole metal cable gland

- 产品材料：黄铜镀镍，密封件为 EPDM，夹紧爪尼龙
- 防护等级：IP68
- 工作温度：测试-40° ~105° 零件无损坏且保障设备正常运转
- 阻燃等级：UL94V-2，可定制 V0 级阻燃
- 订购说明：默认不附螺母，如需特殊说明

- Materials: Nickel plated brass, silicone seal, nylon clamping claw
- Waterproof: IP68
- Temperature: -20° ~105°
- fire prevention: UL94V-2, Customizable V0
- Ordering Information: Without nut



美制 NPT 牙选型表/NPT thread selection table

蓝江产品型号	螺纹规格	电缆范围	螺纹直径	螺纹长度	扳手尺寸	包装数量
Product model	NPT Thread	Cable range	Thread diameter	Thread length	Wrench Size	quantity
PN.	NPT	φ mm	AG mm	GL mm	cap mm	Pcs/bag
NPT1/4A-H2-03	NPT1/4	1.5~3	13.15	8	17/17	50
NPT1/4A-H3-02	NPT1/4	1~2.6	13.15	8	17/17	50
NPT1/4A-H4-02	NPT1/4	1~2.3	13.15	8	17/17	50
NPT3/8A-H2-04	NPT3/8	2~4	16.66	9	22/22	50
NPT3/8A-H3-04	NPT3/8	2~4	16.66	9	22/22	50
NPT3/8A-H4-03	NPT3/8	1.5~3	16.66	9	22/22	50
NPT3/8A-H6-02	NPT3/8	1.2~2	16.66	9	22/22	50
NPT3/8A-H8-02	NPT3/8	1.2~2	16.66	9	22/22	50
NPT1/2A-H2-05	NPT1/2	2~5	20.95	10	24/24	50
NPT1/2A-H3-05	NPT1/2	2~5	20.95	10	24/24	50
NPT1/2A-H4-04	NPT1/2	2~4	20.95	10	24/24	50
NPT1/2A-H2-06	NPT1/2	3~6	20.95	10	26/26	50
NPT1/2A-H2-05	NPT1/2	3~5	20.95	10	26/26	50
NPT1/2A-H2-04	NPT1/2	2~4	20.95	10	26/26	50
NPT1/2A-H2-03	NPT1/2	1.5~3	20.95	10	26/26	50
NPT1/2A-H3-06	NPT1/2	3~6	20.95	10	26/26	50
NPT1/2A-H3-05	NPT1/2	3~5	20.95	10	26/26	50
NPT1/2A-H3-03	NPT1/2	1.5~3	20.95	10	26/26	50
NPT1/2A-H4-04	NPT1/2	2.5~4.5	20.95	10	26/26	50
NPT1/2A-H4-03	NPT1/2	2~3.5	20.95	10	26/26	50
NPT1/2A-H4-02	NPT1/2	1.5~2.5	20.95	10	26/26	50
NPT1/2A-H5-04	NPT1/2	2~4.2	20.95	10	26/26	50
NPT1/2A-H5-03	NPT1/2	1.5~3	20.95	10	26/26	50

蓝江产品型号	螺纹规格	电缆范围	螺纹直径	螺纹长度	扳手尺寸	包装数量
Product model	NPT Thread	Cable range	Thread diameter	Thread length	Wrench Size	quantity
PN.	NPT	φ mm	AG mm	GL mm	cap mm	Pcs/bag
NPT1/2A-H6-04	NPT1/2	2~4.2	20.95	10	26/26	50
NPT1/2A-H6-03	NPT1/2	1.5~3	20.95	10	26/26	50
NPT3/4A-H2-08	NPT3/4	5~8	26.44	12	32/32	50
NPT3/4A-H2-06	NPT3/4	3~6	26.44	12	32/32	50
NPT3/4A-H3-08	NPT3/4	5~8	26.44	12	32/32	50
NPT3/4A-H3-07	NPT3/4	4~7	26.44	12	32/32	50
NPT3/4A-H3-06	NPT3/4	3~6	26.44	12	32/32	50
NPT3/4A-H3-05	NPT3/4	2~5	26.44	12	32/32	50
NPT3/4A-H4-09	NPT3/4	6~9	26.44	12	32/32	50
NPT3/4A-H4-08	NPT3/4	5~8	26.44	12	32/32	50
NPT3/4A-H4-07	NPT3/4	4~7	26.44	12	32/32	50
NPT3/4A-H4-06	NPT3/4	3~6	26.44	12	32/32	50
NPT3/4A-H4-05	NPT3/4	2~5	26.44	12	32/32	50
NPT3/4A-H5-06	NPT3/4	3~6	26.44	12	32/32	50
NPT3/4A-H6-05	NPT3/4	2~5	26.44	12	32/32	50
NPT3/4A-H7-04	NPT3/4	2~4	26.44	12	32/32	50
NPT3/4A-H8-04	NPT3/4	2~4	26.44	12	32/32	50
NPT1A-H2-10	NPT1	6~10	33.2	12.5	40/40	20
NPT1A-H3-10	NPT1	6~10	33.2	12.5	40/40	20
NPT1A-H4-09	NPT1	5~9	33.2	12.5	40/40	20
NPT1A-H4-07	NPT1	4~7	33.2	12.5	40/40	20
NPT1A-H5-08	NPT1	5~8	33.2	12.5	40/40	20
NPT1A-H6-07	NPT1	4~7	33.2	12.5	40/40	20
NPT1A-H6-05	NPT1	3~5	33.2	12.5	40/40	20
NPT1-1/4A-H2-13	NPT1-1/4	9~13	41.9	15	50/50	20
NPT1-1/4A-H3-12	NPT1-1/4	8~12	41.9	15	50/50	20
NPT1-1/4A-H4-12	NPT1-1/4	8~12	41.9	15	50/50	20
NPT1-1/4A-H5-08	NPT1-1/4	5~8	41.9	15	50/50	20
NPT1-1/4A-H6-08	NPT1-1/4	5~8	41.9	15	50/50	20
NPT1-1/4A-H6-10	NPT1-1/4	6~10	41.9	15	50/50	20
NPT1-1/4A-H7-08	NPT1-1/4	5~8	41.9	15	50/50	20
NPT1-1/4A-H8-06	NPT1-1/4	3~6	41.9	15	50/50	20
NPT1-1/4A-H9-05	NPT1-1/4	3~5	41.9	15	50/50	20
NPT1-1/4A-H10-05	NPT1-1/4	3~5	41.9	15	50/50	20
NPT1-1/2A-H2-15	NPT1-1/2	11~15	47.8	15	59/59	10
NPT1-1/2A-H3-15	NPT1-1/2	9~12	47.8	15	59/59	10
NPT2A-H2-17	NPT2	14~17	59.6	15	70/70	10
NPT2A-H2-13	NPT2	10~13	59.6	15	70/70	10
NPT2A-H2-12	NPT2	9~12	59.6	15	70/70	10